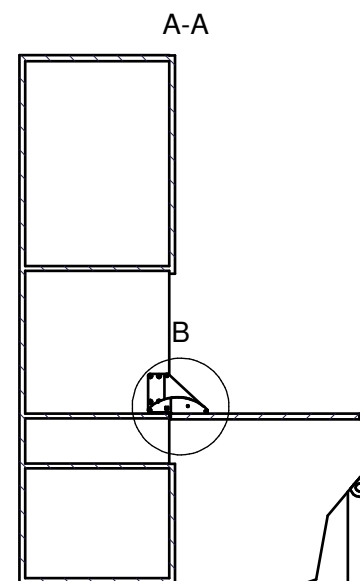
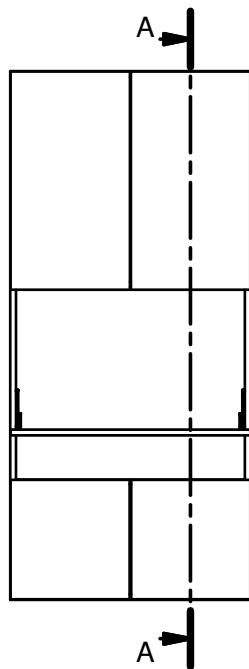


**DX**

**SX**



A-A

B

**A** M6x16 - (x8)



**B** M6x60 - (x10)



**C** M6 - (x8)

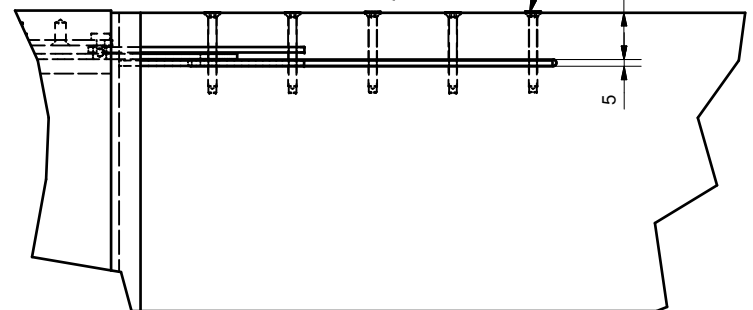
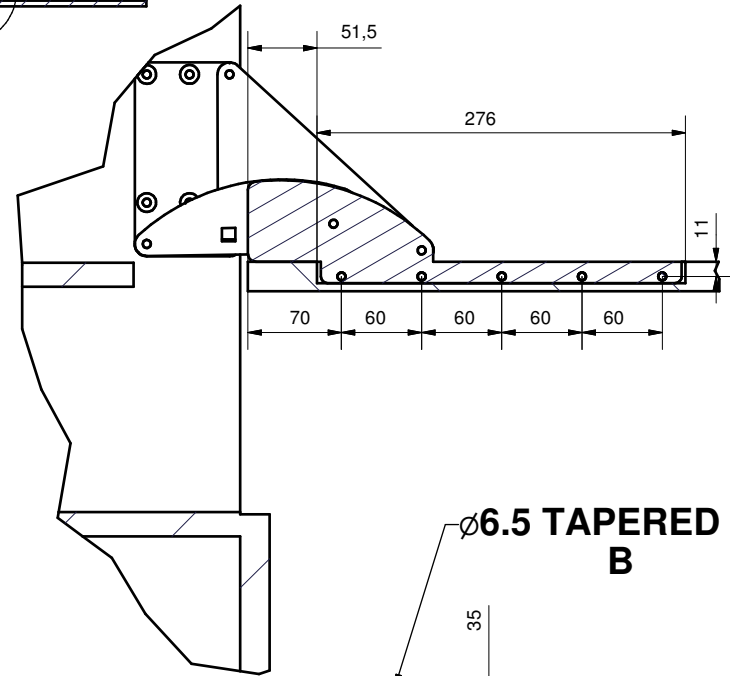
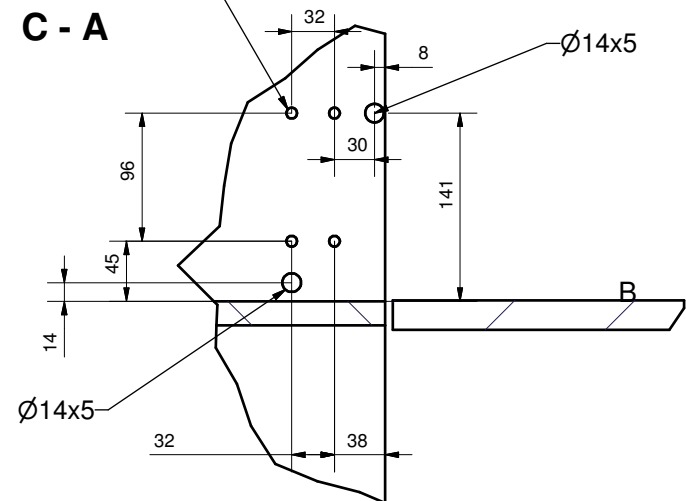


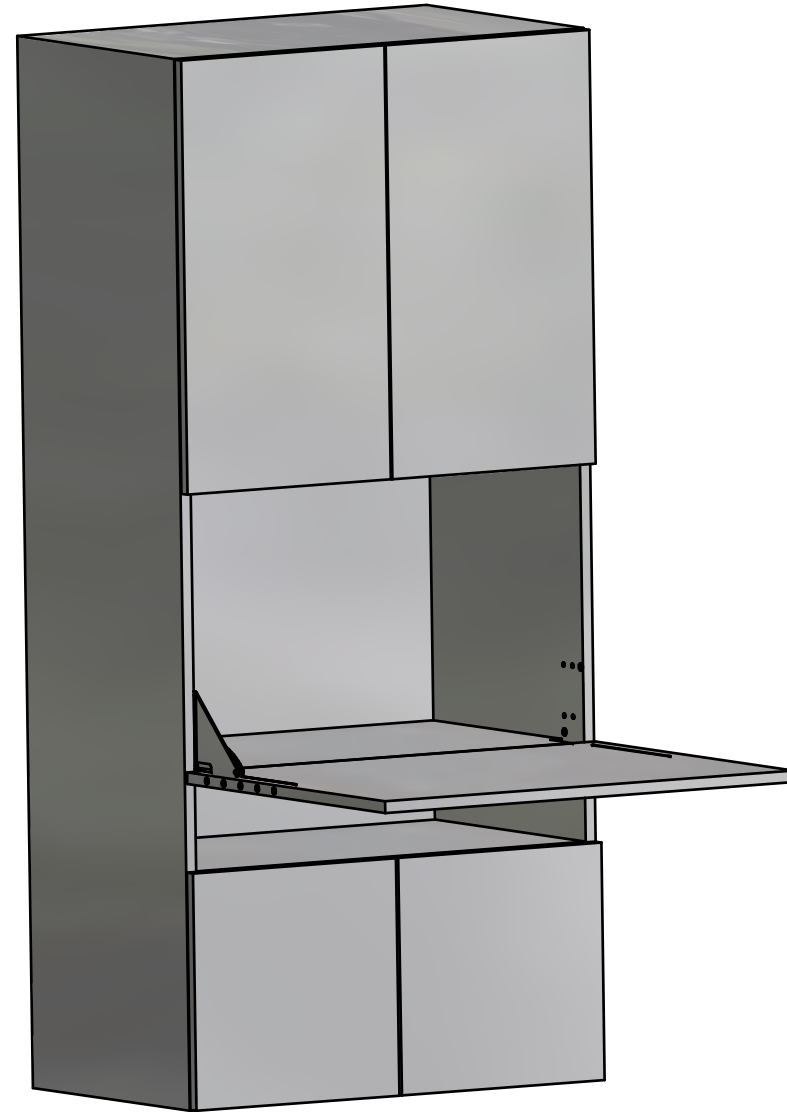
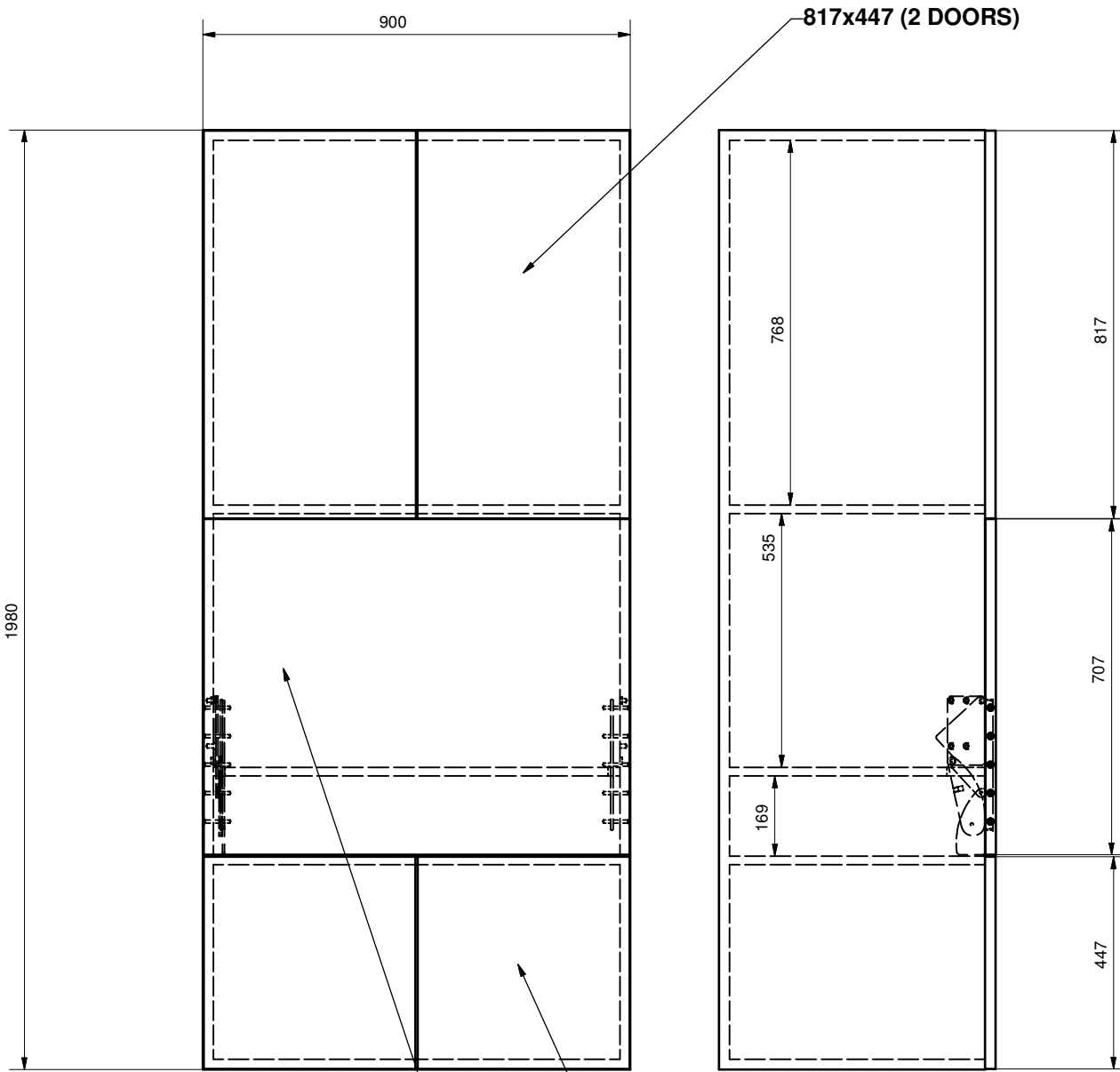
n° 4 - (x1)



n. 4 Ø8x13  
(FOR M6 BUSHES)

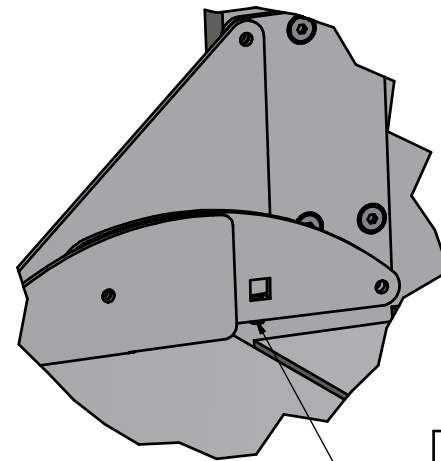
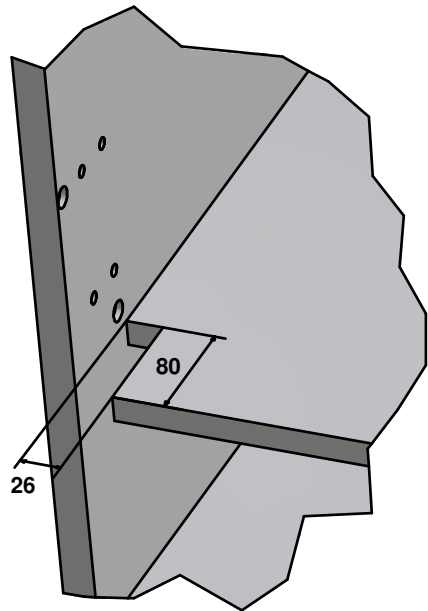
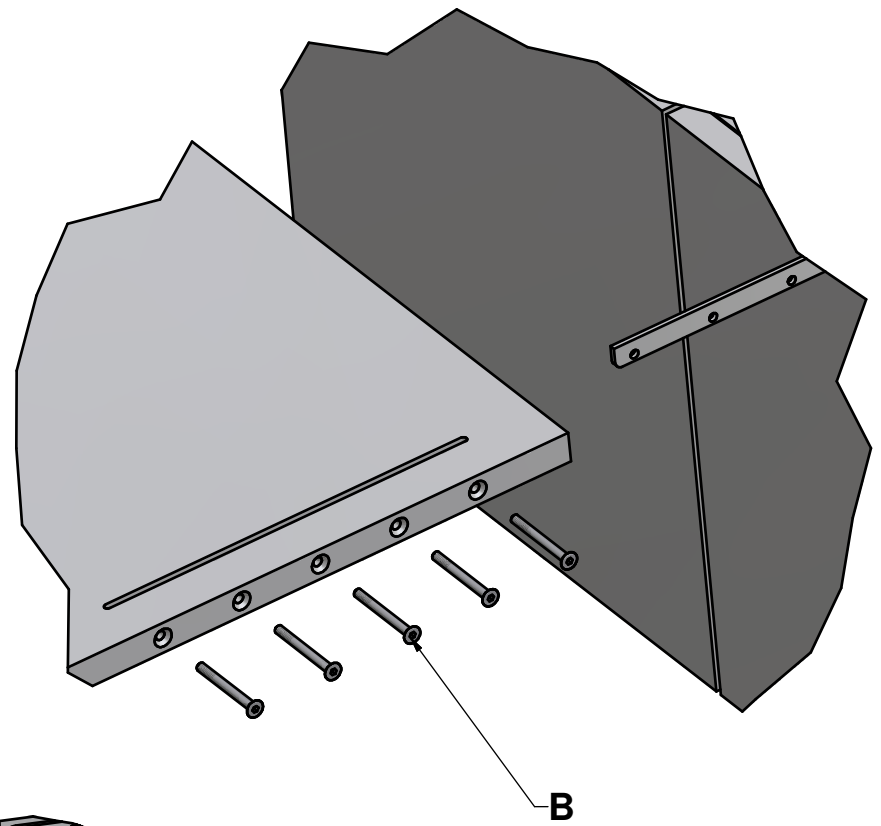
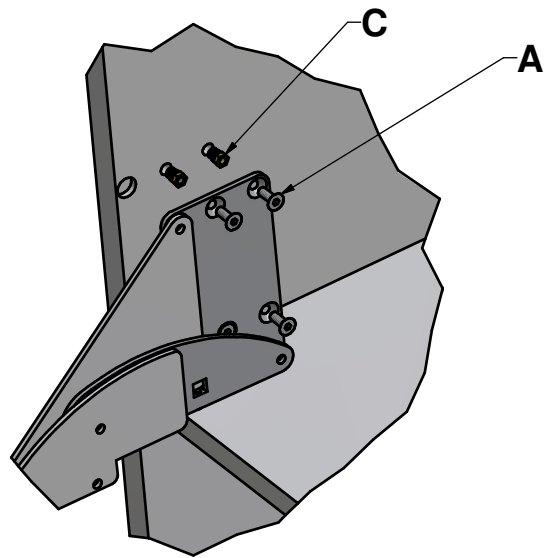
**C - A**





448x447 (2 DOORS)

PLANE 897x707 THICKNESS: 22



**FOR DOOR HEIGHT REGULATION TURN THIS  
GRAIN USING A n° 3 ALLEN KEY (NOT INCLUDED)  
(ONE GRAIN ON EACH SIDE)**